

Appendix 2 Outline Dimension Drawings

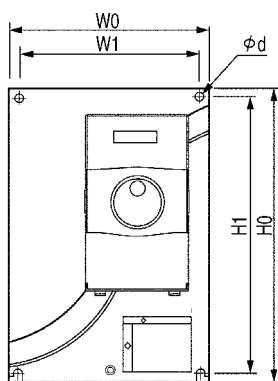


Fig.1

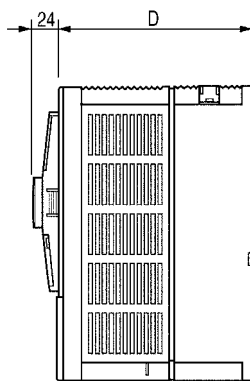


Fig.2

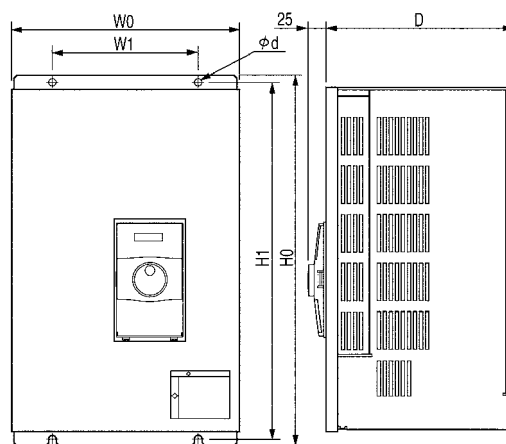
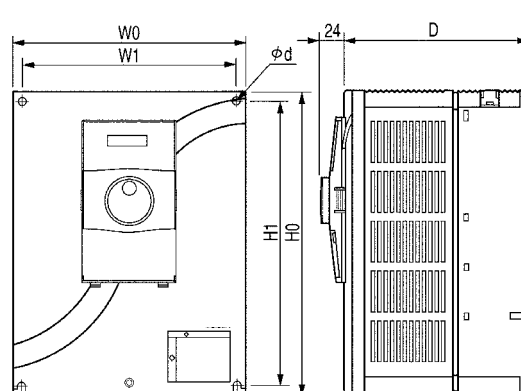


Fig.3

Type Series		Dimensions (mm)						Fig.
200V	400V	W0	W1	H0	H1	D	ød	
N00K4 N00K7 N01K5 N02K2 N04K0	X00K4 X00K7 X01K5 X02K2 X04K0	170	155	243	228	162	6	Fig. 1
N05K5 N07K5	X05K5 X07K5	216	201	275	260	169	7	
N11K0 N15K0	X11K0 X15K0 X18K5	265	245	360	340	228	7	
N18K5 N22K0	X22K0 X30K0	310	200	500	480	253	10	Fig. 3
N30K0 N37K0	X37K0 X45K0	342	200	590	570	307	10	
	X55K0 X75K0	420	300	690	666	309	10	
	X90K0 X110K	480	400	740	714	352	10	
	X132K X160K	488	320	980	956	370	13	
	X200K	680	500	1100	1070	379	15	
	X250K X315K	870	600	1300	1270			